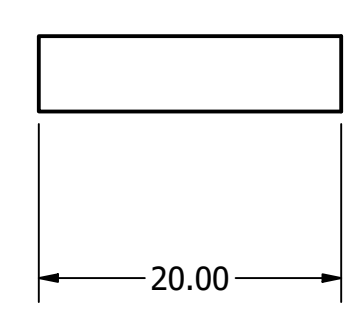
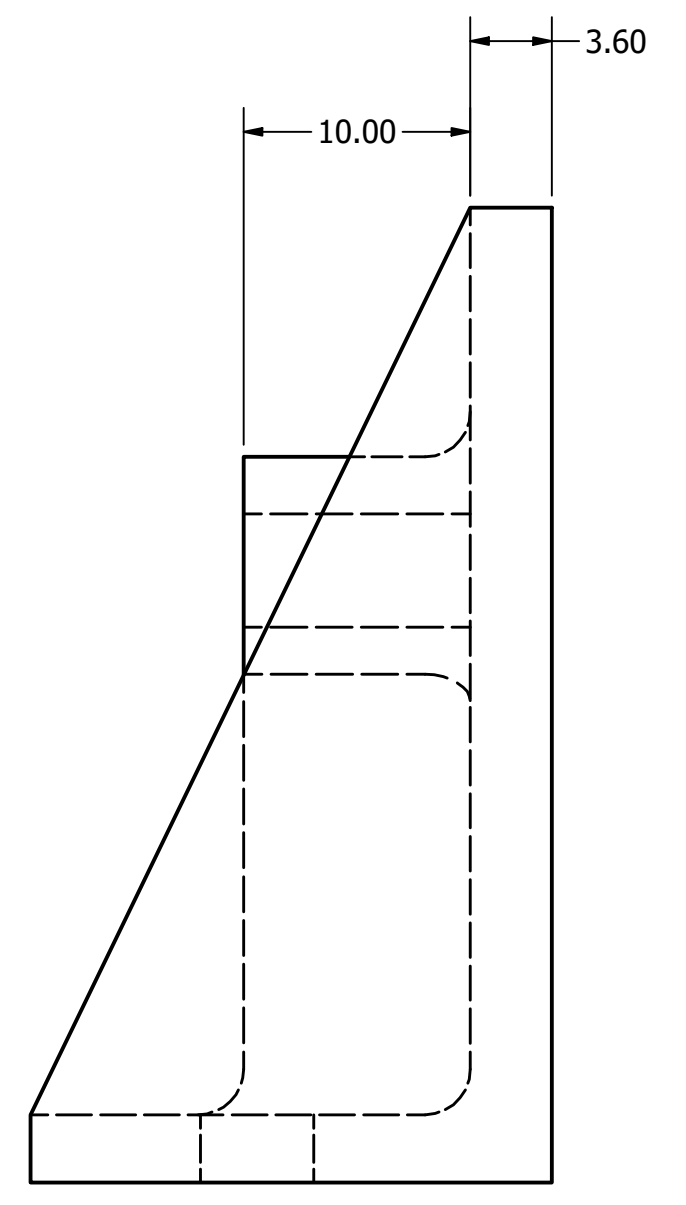
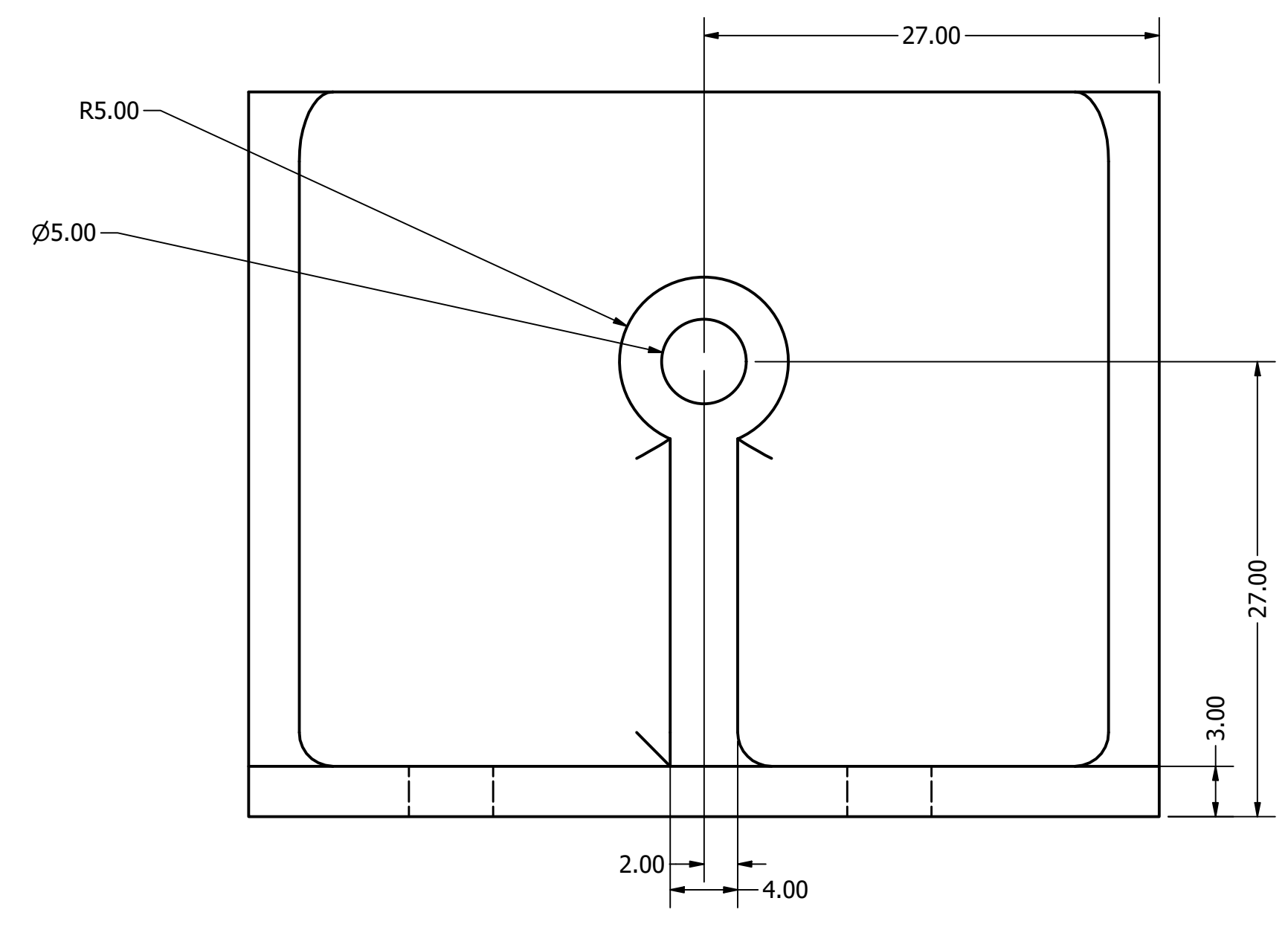
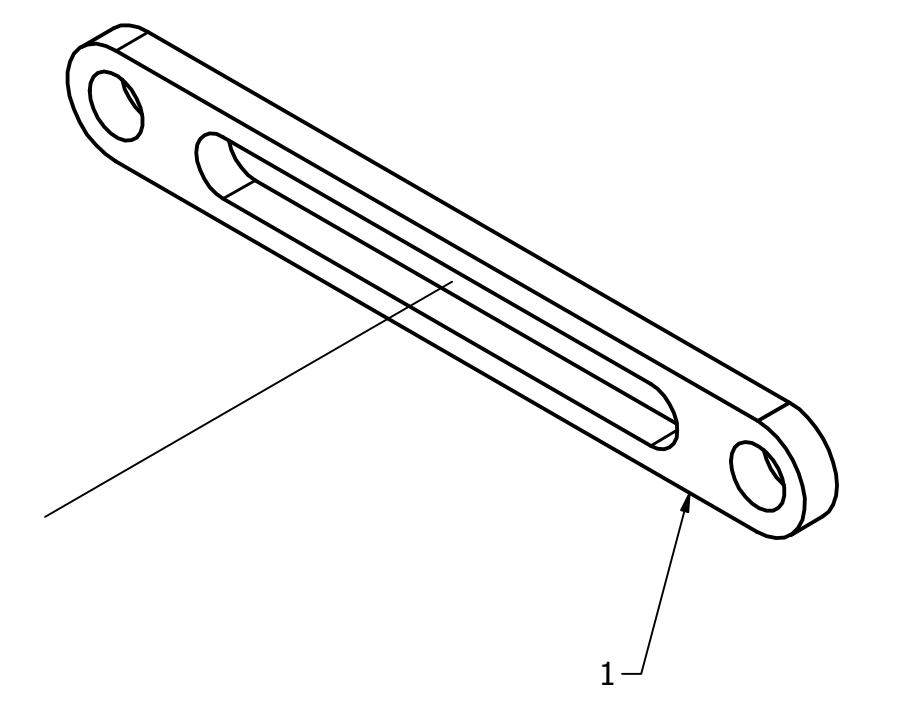
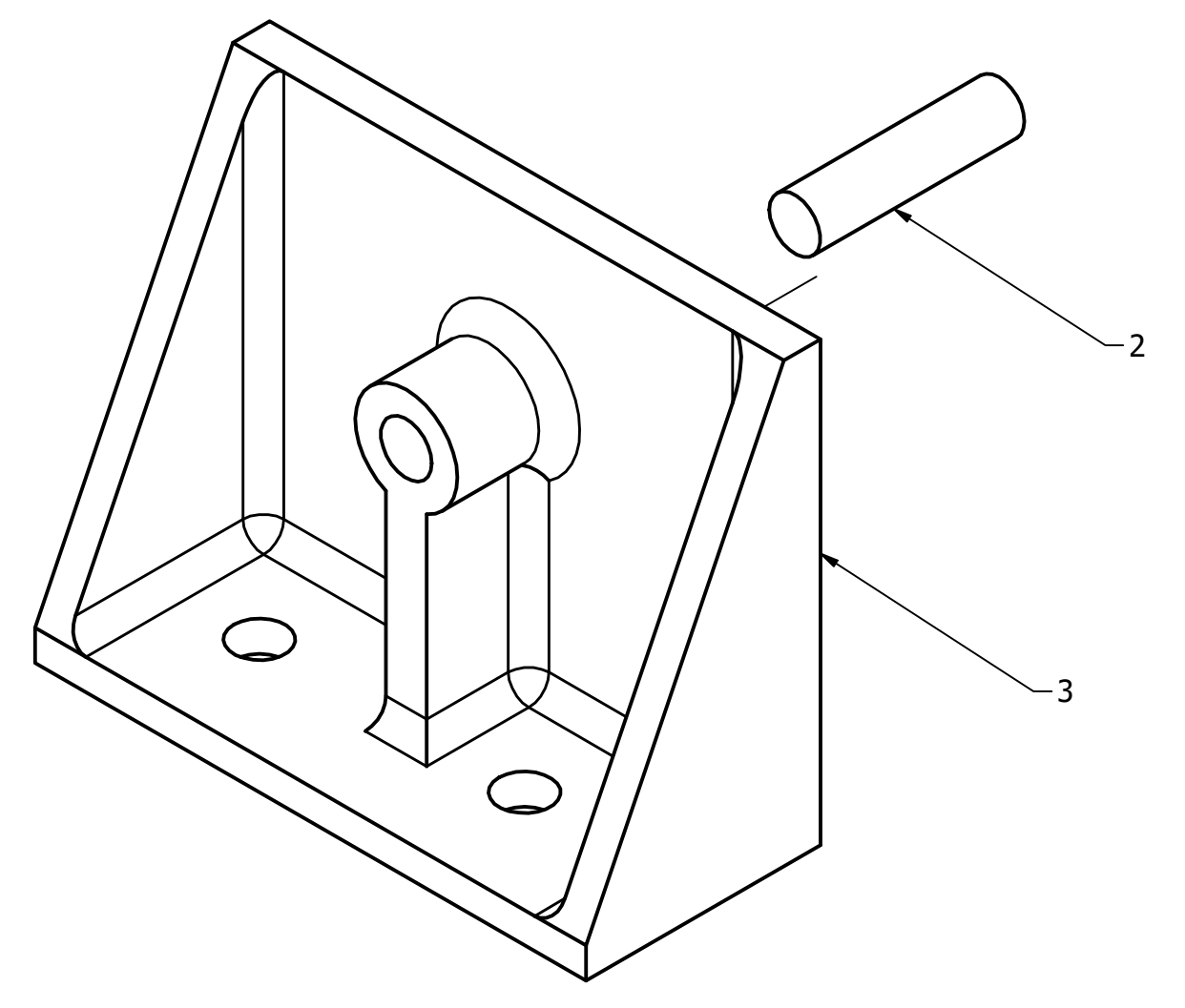
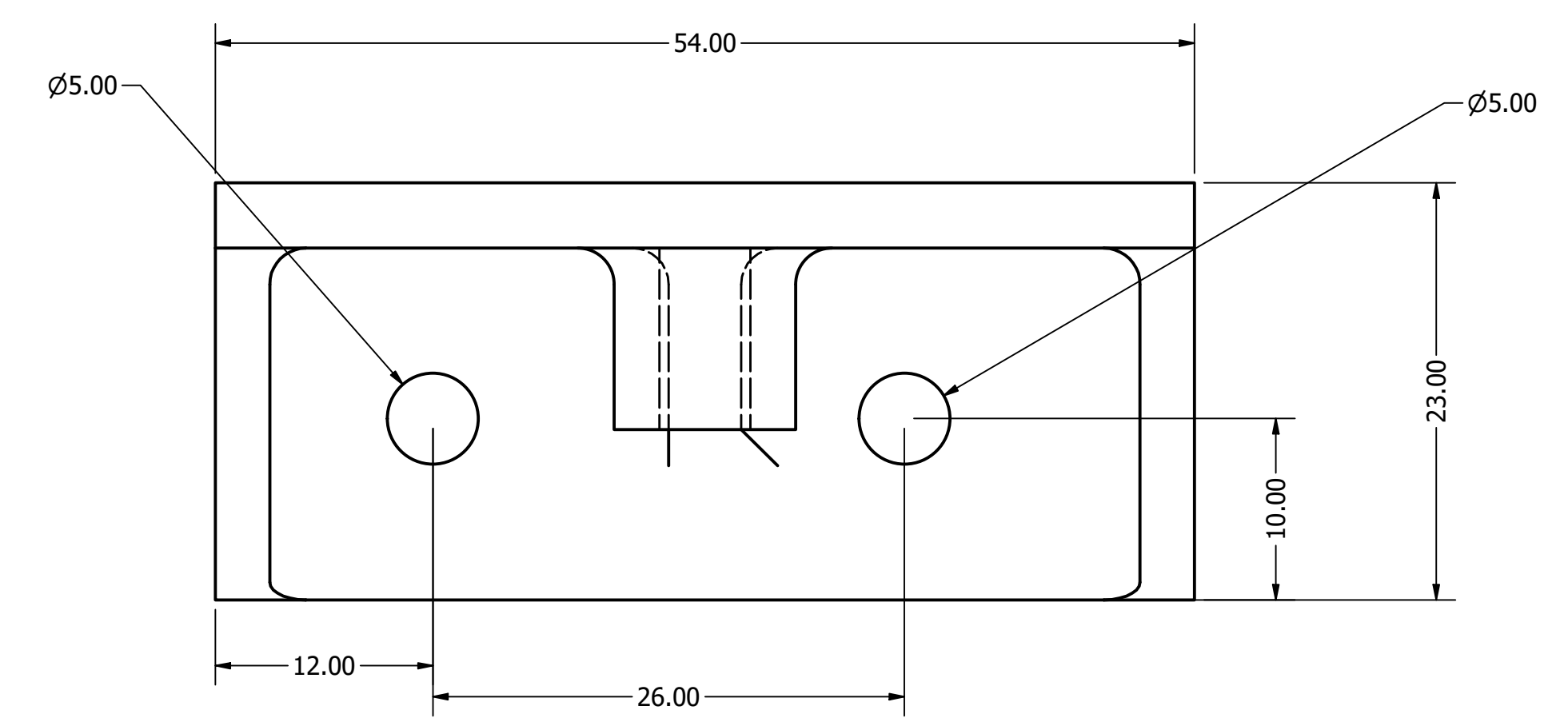


PARTS LIST			
ITEM	QTY	PART NUMBER	DESCRIPTION
1	1	Fly_Assembly_Flylink	
2	1	Fly_Assembly_Peg	
3	1	Fly_Assembly_Plate	



DRAWN Max Kornegay	1/12/2021	TITLE	
CHECKED		Fly Assembly	
QA		SIZE	DWG NO
MFG		D	Fly_Assembly
APPROVED		SCALE	REV
		2 : 1	
		SHEET 1 OF 1	