

4

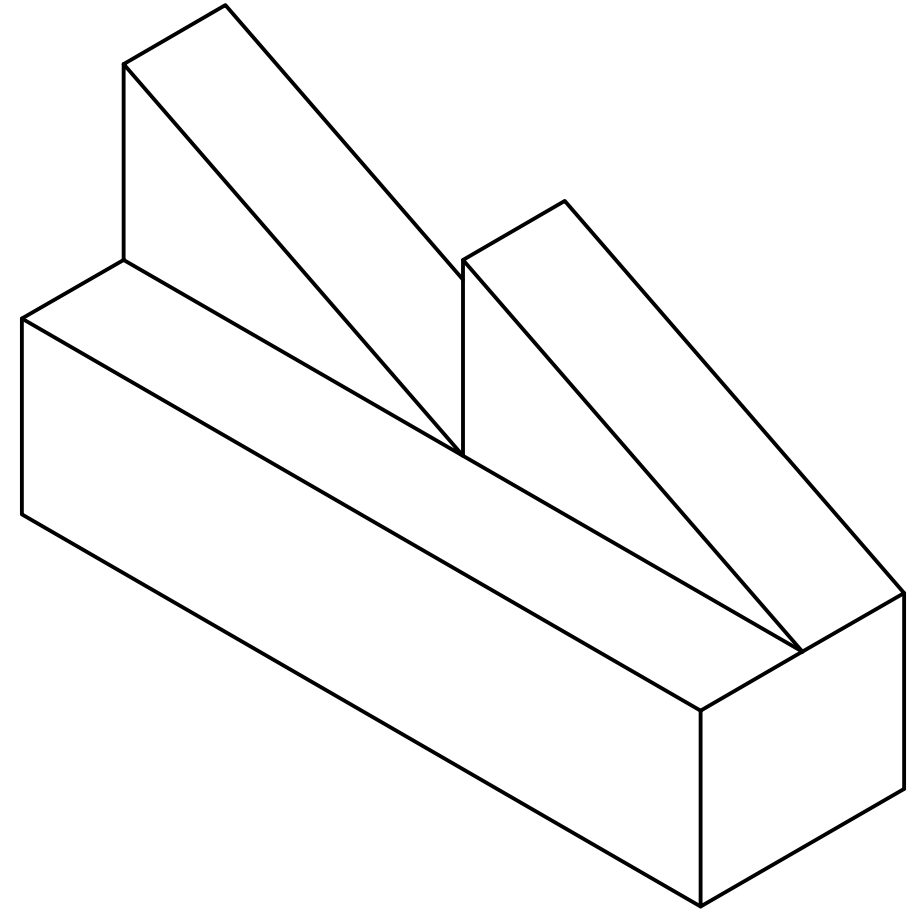
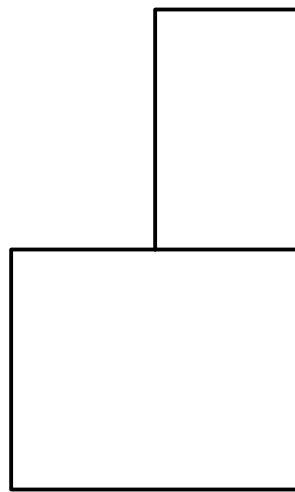
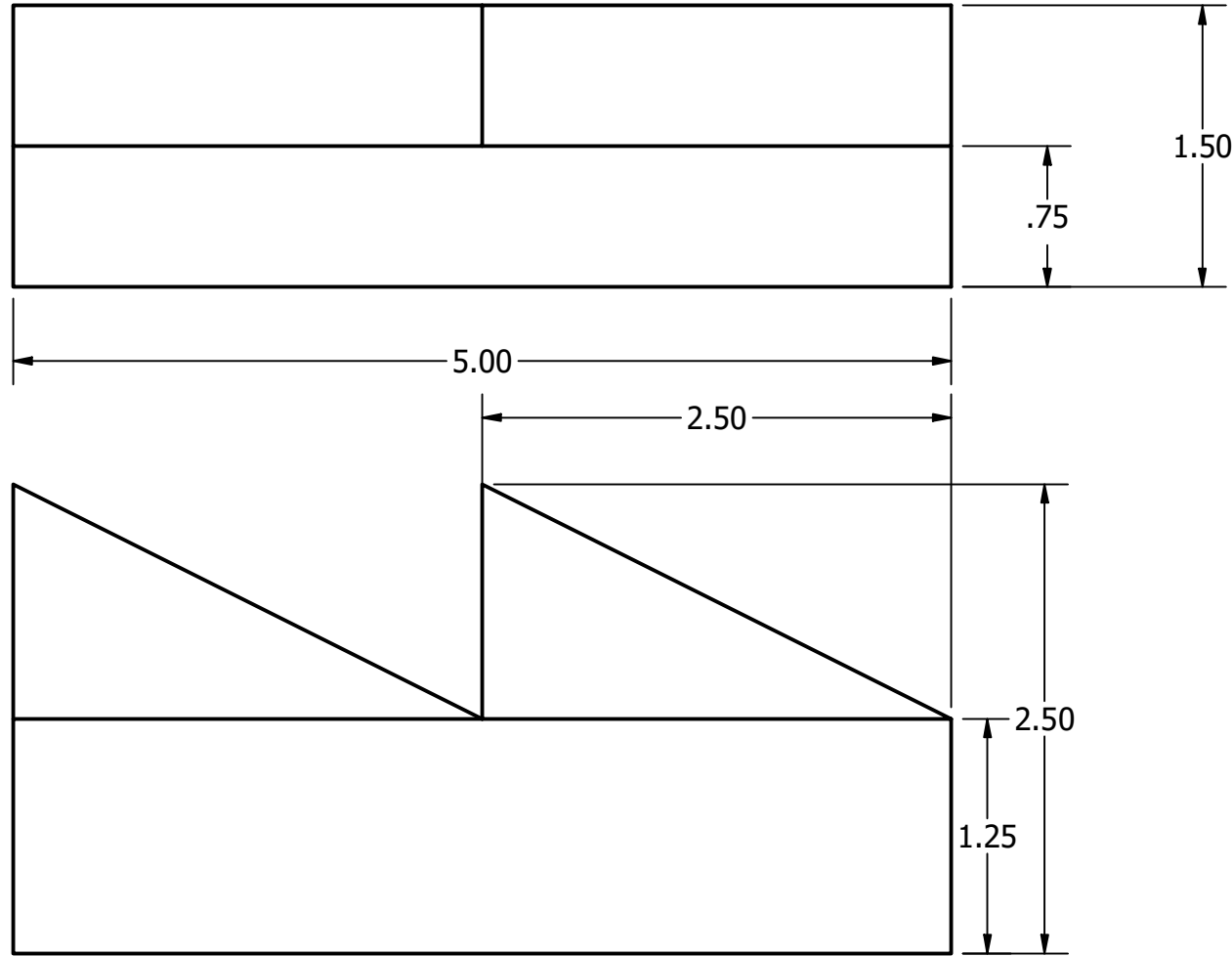
3

2

1

B

B



A

A

A

A

4

3

2

1

A

DRAWN Max Kornegay	1/11/2021	TITLE		
CHECKED				
QA		Object 6		
MFG				
APPROVED		SIZE B	DWG NO Part6	REV
		SCALE 1 : 1	SHEET 1 OF 1	